



CLC Series | Closed Loop Cooling System

Save Water and Energy by Recycling Water and Glycol





The Pure-Aire CLC Series Closed Loop Cooling System continuously recirculates water and glycol without evaporation, making this a highly energy efficient and low maintenance solution for industrial cooling. A closed loop cooling system can cool the process fluid from 5°F to 10°F above the ambient air temperature. The CLC Series will allow you to **avoid high operating costs** associated with other systems such as water consumption, sewer discharge, EPA regulations, chemical treatment, and maintenance.

Benefits and Standard Features

- ✓ Low Cost and Energy Efficient Cooling System
- ✓ **Save on Operating Costs Including:** Water Consumption, Sewer Discharge, EPA Regulations, Chemical Treatment, and Maintenance
- ✓ Uses Ambient Air—Can Be Installed to Provide Air Make-Up
- ✓ Can Be Used with Ethylene Glycol and Propylene Glycol
- ✓ Approach Temperatures of 5°F and Above
- ✓ Seamless, Smooth Wall Copper Tubes are Mechanically Expanded into Aluminum Fins
- ✓ Tube Sheets are Aluminum with Collars, Preventing Tube Wear Due to Thermal Expansion
- ✓ Coils are Leak Tested at 400 psig
- ✓ Automatic Air Purge Valve Provided as Standard
- ✓ Pump Skid: Duplex Pumps with Manual or Automatic Switching
- ✓ Trim Cooler Heat Exchanger and Water Regulating Valve
- ✓ Automatic Mixing Valve to Avoid Freezing in Winter Conditions
- ✓ NEMA 4 Enclosure
- ✓ Optional Fuse or Circuit Breaker Wire Protection

Optional Features

- Expansion Tank with Hydronic Controls
- Special Protective Coating on Unit Used in Corrosive Ambient Conditions
- TEFC or Explosion Proof Motors for Severe Hazardous Duty
- NEMA 7, 9, and 12 Electricals

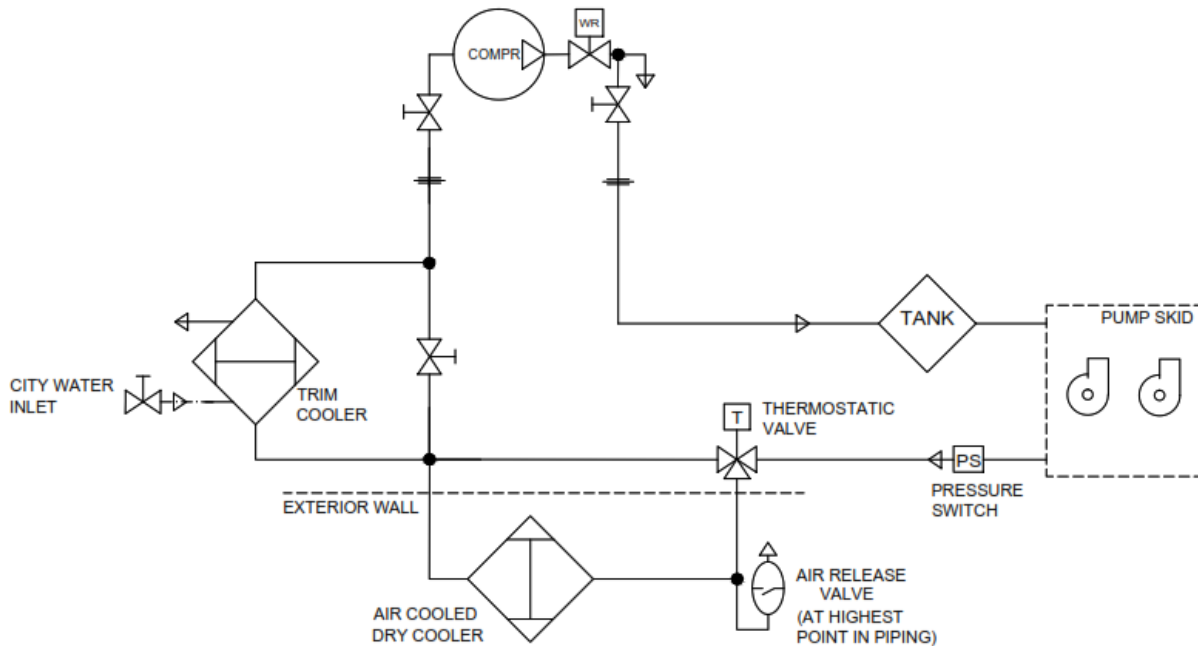
 Eliminate Water Consumption <i>Significantly lowers water and energy consumption and maintains more consistent cooling temperatures.</i>	 Energy Efficient <i>Dissipated heat can be recovered for space heating or process heating.</i>
 VSD Fan Control and Staging <i>Maximum energy efficiency and thermal protection.</i>	 Best In Class Warranty <i>System warranty on defects in materials and workmanship. 1 year warranty on all components provided. 3 year warranty on all components if system is installed by a Pure-Aire distributor.</i>



Technical Specifications

Cooling Capacity (90°F ambient)	10 MBtuh to 6,000 MBtuh
Maximum Operating Pressure	150 psig (standard)
Minimum Operating Pressure	25 psig
Standard Electrical Supply	460V / 3Φ

Model	HP	Mbtuh	Flow (gpm)	Fans	Total Fan HP	Pump HP	Cooler Dimensions (Inches)			Weight (lbs.)	Fluid Volume (Gallons)
							L	W	H		
CLC-75	75	182.6	21	1 x 1	2	2	67	48	52	712	7.3
CLC-100	100	284.6	33	1 x 2	4	2	124	48	52	1,161	10.5
CLC-125	125	385.4	45	1 x 2	4	2	124	48	52	1,305	17.5
CLC-150	150	508.3	58	1 x 3	6	5	181	48	52	1,708	19.4
CLC-200	200	610.6	70	1 x 3	6	5	181	48	52	1,881	25.8
CLC-300	300	851.7	100	1 x 5	10	5	295	48	52	2,688	28.4
CLC-350	350	1,001	116	1 x 6	12	5	352	48	52	3,080	38.9
CLC-400	400	1,346	150	2 x 4	16	7.5	238	93	52	3,810	45.6
CLC-500	500	1,457	168	2 x 4	16	7.5	238	93	52	4,051	45.6
CLC-600	600	1,604	185	2 x 5	20	10	295	93	52	4,681	42.6
CLC-700	700	1,751	202	2 x 6	24	10	352	93	52	5,311	77.8
CLC-800	800	2,093	231	2 x 6	24	15	360	93	63	5,910	76.4
CLC-1000	1000	2,692	300	2 x 8	32	15	238	186	52	7,620	91.2



Contact Us

1-800-274-3233

sales@pure-aire.com

www.pure-aire.com